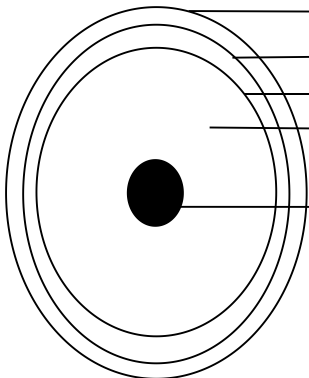
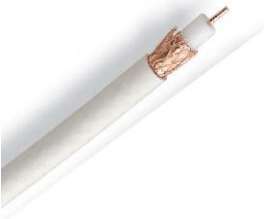




Coaxial Cable Specification Sheet

ITEM		RG59		SAMPLE NO.	
Conductor	Size	0.81MM			
	Conductor	CCS			
	Structure	1/0.81mm±0.01mm			
Insulation	Material	FPE			
	Diameter	3.7mm±0.2mm			
	Thickness	1.27mm			
Shielded	Color	White			
Braidings	Material	AL foil			ISO9001 CE 
	Material	Copper			
	Size	0.12			
Number	128				
Jacket	Material	PVC			
	Thickness	0.82mm-0.83mm			
	Diameter	6.1mm±0.1mm			
	Color	White			
REMARK	APTEK COAXIAL CABLE RG59 P.N#593-1008 (1719C) 001M (001.....305M)				
	ShenZhen Brother Young Development Co.,Ltd			CUSTOMER APPROVED	
				PRODUCT TITLE	RG59
A	First edition	Revisor		PRODUCT CODE	
REA	Revision describeion	Date	2017-8-23	APPROVED	
				CHECKED	